



Globes - LED

T8 LED TUBE LIGHTS

- Input voltage: 220-240V AC 50/60Hz
- Heat sink: PC
- LED chips: SMD2835 LED
- Power factor: ≥ 0.9
- For indoor use only
- Ambient temp: -20°C to 40°C
- Not suitable for use with dimmers
- Not suitable for 2-way switching
- Not suitable for use with sensor

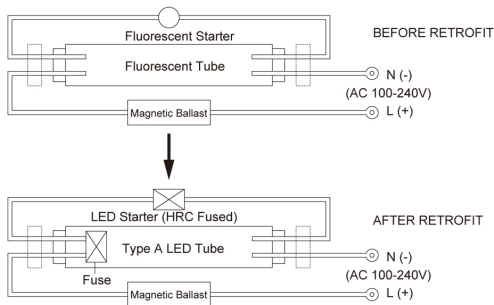


 25,000hr Lifetime	 165° Beam Angle	IP20 Rated	3YEAR Replacement Warranty
---	---	----------------------	---

PART NO.	KELVIN (K)	LUMENS (LM)	WATT (W)	LED CHIPS	CRI	DIMM	LENGTH (mm)	DIAM (mm)	CARTON QTY
PT82FT4	6000	850	9	48pcs SMD2835	80	NO	589	28	1/25

INSTALLATION INSTRUCTIONS

1. Wiring example of a single circuit luminaire with magnetic ballast



2. Wiring example of a single circuit luminaire with electronic ballast

